

LED High Bay Light
UFO09 100W-150W-200W

150LM/W

SPECIFICATIONS



5 Years Warranty

CE RoHS

UFO09 80W-200W

Specification

Model	SA-UFOA00-80W	SA-UFOA00-100W	SA-UFOA00-120W	SA-UFOA00-150W	SA-UFOA00-200W
PF	>0.95				
Input Voltage (V)	185-264VAC 50/60Hz				
CRI	Ra70	Ra80	Ra70	Ra80	Ra70
Efficacy (lm/W)±5%	150	140	150	140	150
Lumen output±5%	12000	11200	15000	14000	18000
CCT (K)	3000K/3500K/4000K/4500K/5000K/5700K				
Dimming	Non-Dimming				
Beam angle	60°/90°/120°				
Material	Body Aluminum+ PC Lens				
Operating Temperature	-30°C to 45°C				
Humidity	10% - 90%				
Installation	Ring Mounted; Bracket Mounted				
LED Type	2835				
Power Supply	Stronglumen/Sosen/Moso/MW				
Surge Protection	4kV line-line, 6kV line-earth				
Certification	CE/RoHS				
IP Rate	IP65				
Warranty	5 Years				

SA-UFOA00-XXXX-XXXX-B-E [XX]

SA-UFO	A00	XXX	Y	XXXX	B	E	XX
Series	Voltage	Power	CCT	Lens	SeriesI	Versions	Mounting
SA-UFO	185-264V	80W 100W 120W 150W 200W	N 3000K M 3500K L 4000K K 4500K C 5000K H 5700K	R060 Lens 60° R090 Lens 90° R120 Lens 120°	"B" The second generation	Economic	Blank Rings, BM Bracket, BBM Rings and Bracket.

Description:

Model name description: SA-UFOA00-200Y-RXXX-B-E.

"SA" indicates the name of company producing the product;

"UFO" indicates the product is a LED High Bay;

"A00" indicates the voltage is 185-264VAC;

"200" indicates the power of the product;

"Y" indicates the colour temperature of the product ;

Where the "Y" can be N=3000K, M=3500K, L=4000K, K=4500K, C=5000K, H=5700K represents color temperature ;

Where XXXX represent light angle, it can be R060,R090,R120;

"B" indicates the shape size;

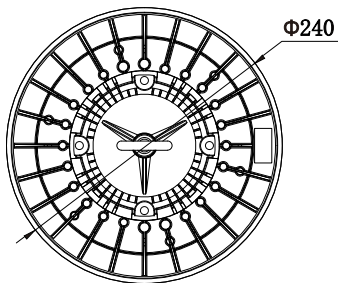
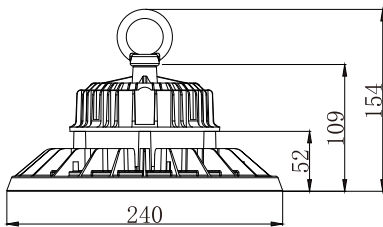
"E" indicates the economic.

UFO09 80W-200W

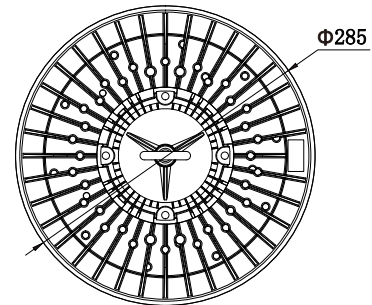
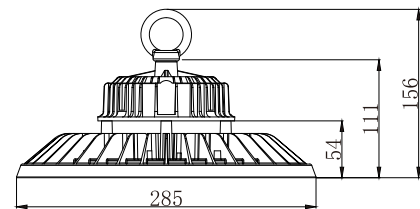
Packing

Model No.	Power	Size(mm)	Carton Size(mm)	G.W/1PCS±0.2KG
SA-UFOA00-80Y-XXXX-B	80W	Φ240xH154	L290xW290xH165	2.2KG
SA-UFOA00-100Y-XXXX-B	100W	Φ240xH154	L290xW290xH165	2.3KG
SA-UFOA00-120Y-XXXX-B	120W	Φ285xH156	L320xW320xH185	2.7KG
SA-UFOA00-150Y-XXXX-B	150W	Φ285xH156	L320xW320xH185	2.8KG
SA-UFOA00-200Y-XXXX-B	200W	Φ325xH172	L380xW380xH185	3.4KG

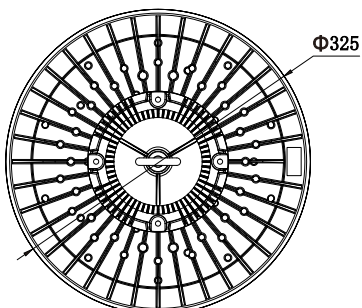
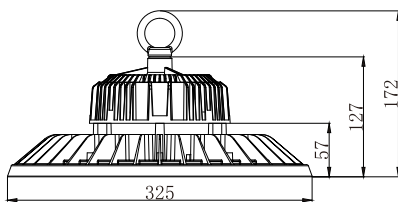
Dimensions(unit: mm)



80-100W



120-150W



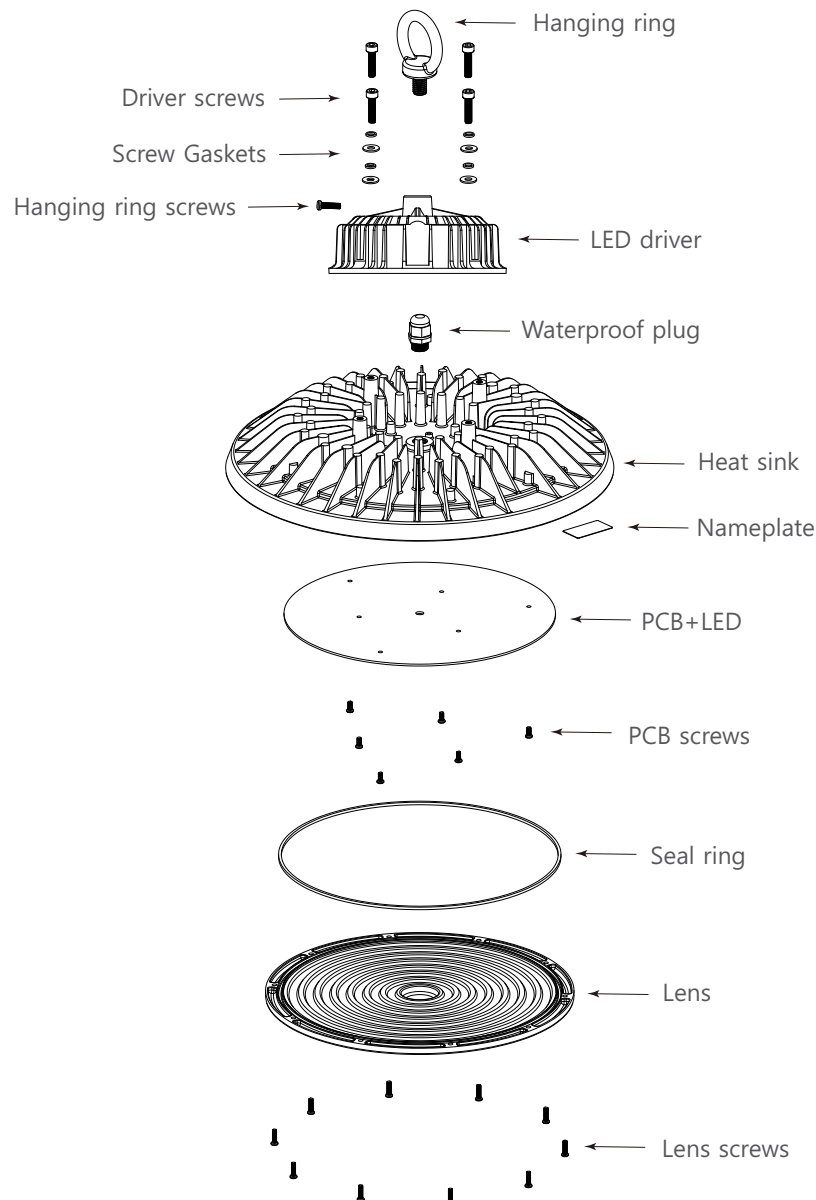
200W

UFO09 80W-200W

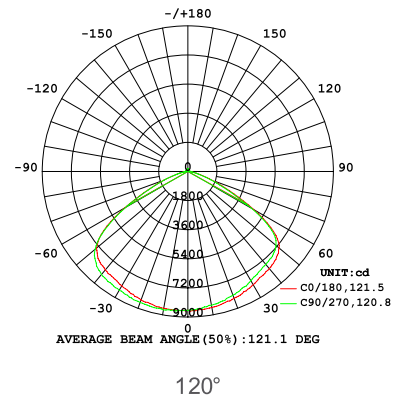
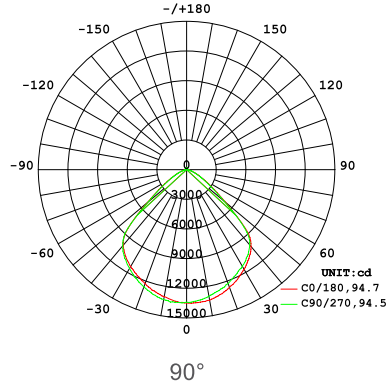
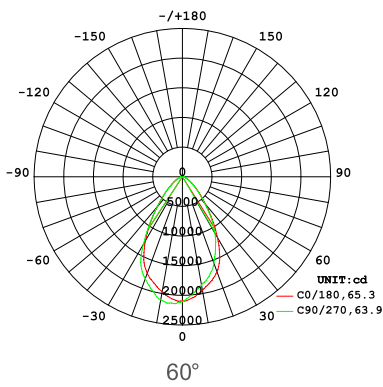
Structure Performance

Dimension: LxHxW(mm)	Φ240xH155/Φ285xH157/Φ325xH160
Housing:	Aluminum
Cover:	PC Lens
Cable Length:	300mm
IP Rate:	IP 65
IK Rate:	IK 10

Structure drawing

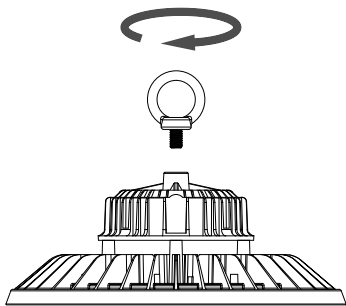


Beam angle

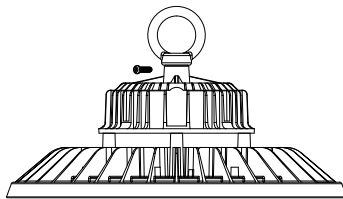


Installation

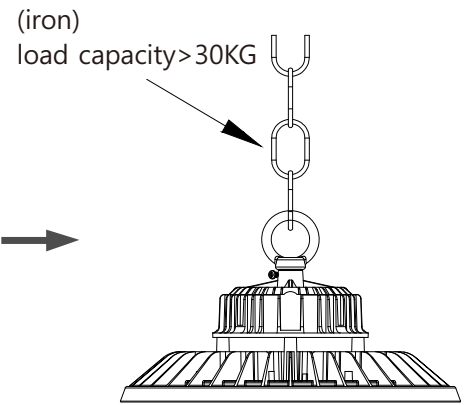
1-Ring mounted



① Lock ring

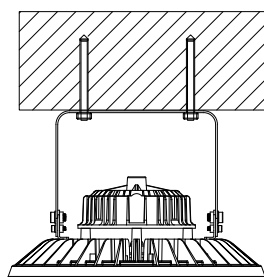
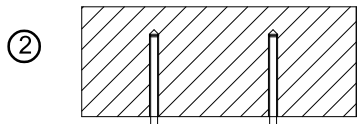
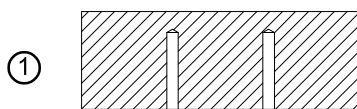


② Tighten the screw
fix the ring

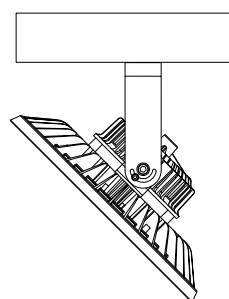


③ Hang on the hook

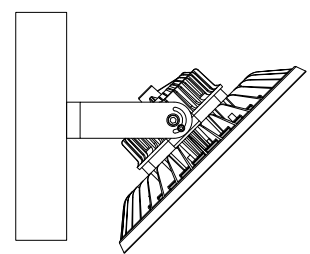
2-Bracket mounted



① a



② b



③ c

Regular Safety Test

Test Item	Structure Classification	Testing Conditions	Testing parameters	Testing Time	Limiting Value
Hipot Test	■class I	input-shell	1000+2U(AC)	1min	10mA Max.
	□class II	input-shell	2000+4U(AC)	1min	10mA Max.
	□class III	input-shell	500Vac	1min	10mA Max.
Insulation Resistance	■class I	input-shell	500Vdc	1min	2MΩ Min.
	□class II	input-shell	500Vdc	1min	4MΩ Min.
	□class III	input-shell	100Vdc	1min	1MΩ Min.
Leakage Current	■class I	input-shell	220V/50Hz	10S	0.5mA Max.
	□class II	input-shell	220V/50Hz	10S	1.0mA Max.
Ground Resistance	■class I	Grounding wire-metal shell	10A	1min	500mΩ Max.

UFO09 80W-200W

Product Certification

Certification Categories	Conform to the Standard Specification	Meet	Certified
CCC	GB 7000.1; GB 7000.201; GB17743; GB17625.1	√	
CQC	GB 7000.1; GB 7000.201; GB17743; GB17625.1; GB 18595	√	
CE	EN 60598-1; EN60598-2-1; EN62493; EN55015; EN 61000-3-2; EN61000-3-3; EN61547; EN62471	√	√
UL	UL 1598; UL1993;UL8750; UL1598C	√	
RCM	SAA 60598.1; SAA 60598.2.1; CISPR 15		
RoHS	2011/65/EU directive (RoHS 2.0)	√	√
ERP	Reg.1194/2012/EC & EU (NO) 874/2012/EC	√	
DLC	DLC Technical Requirements Table, V3.0	√	
Energy Star	ENERGY STAR® Program Requirements Product Specification for Luminaires (Light Fixtures) Eligibility Criteria Version 2.0	√	