

LED Tri- proof Light



PC house
Safe and Reliable
150/180 **lm/W**

5 year
Warranty

CE RoHS



Specification				
Model	SL-TB120036-X-T-H	SL-TB120036-X-P-H	SL-TB150050-X-T-H	SL-TB150050-X-P-H
PF	>0.95			
Input Voltage(V)	200-240VAC			
CRI	Ra80		Ra80	
Efficacy (lm/W)±5%	150	180	150	180
Lumen Output±5%	5400	6480	7500	9000
CCT (K)	3000K /4000K / 5000K / 6000K			
Beam Angle	120°			
Material	PC Lens			
intelligent control	0-10V/DALI/Emergency/Sensor			
Operating Temperature	-40°C ~ 45°C			
Humidity	10%~90%			
LED Type	2835			
Housing	PC			
Cable Length:	300 mm			
Certification	CE / RoHS			
Driver	LIFUD			
Warranty	5 Years			

Description:

Model name description:SL-TBBCDFGH-X-T-H;

“SL” indicates the name of company producing the product;

“T” indicates LED Tri-proof Light

“A” indicates power type A=DOB driver B=built-in driver

“BCDF” indicates product dimensions 0300=300mm 0430=430mm 0600=600mm
1200=1200mm 1500=1500mm

“GH” indicates product power 18=18W 36=36W 50=50W

“X” indicates the colour temperature of the product. N=3000K , L=4000K ,
C=5000K , W=6000-6500K
M= Two kinds of color temperature
H= Three kinds of color temperature
J=3000 ~ 6500K continuously adjustable

“T” indicates the Luminance Efficacy R=220-230lm/W S=190-200lm/W P=170-180lm/W
T=150-160lm/W H=120lm/W N=100lm/W

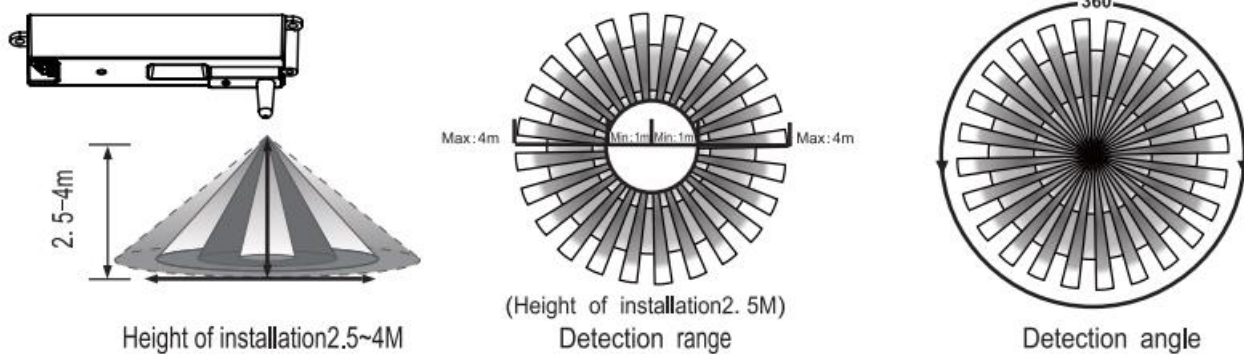
“H” indicates the shape size .

Motion detection function

We preset the product in customize, 100%---> low light or off. Easy to install and cost-effective.



Sensor information



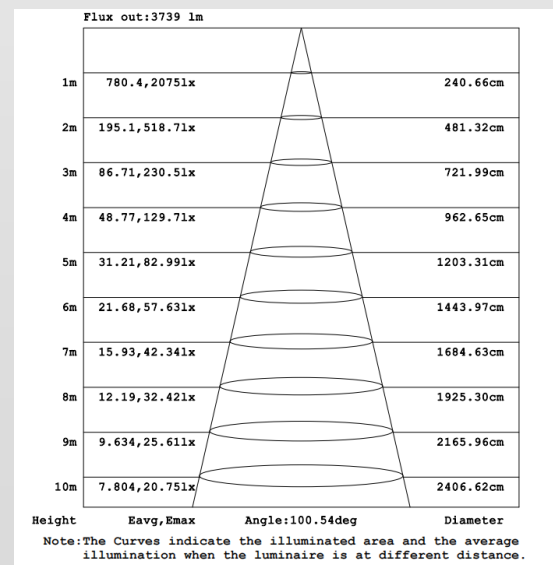
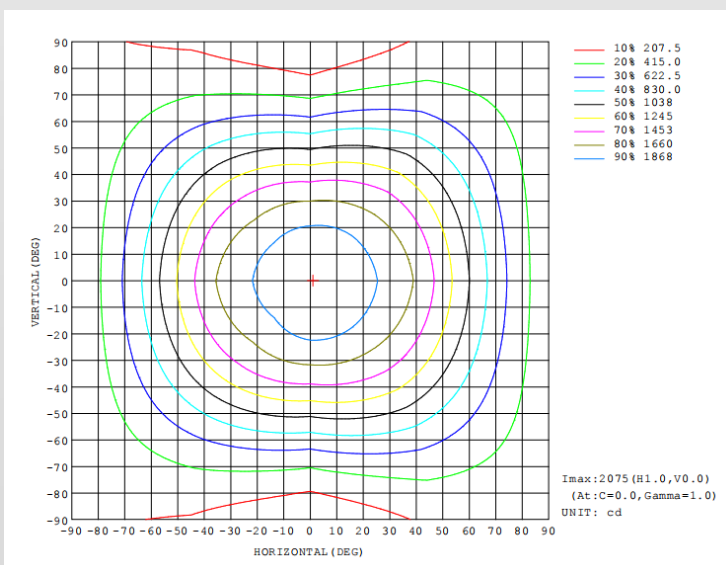
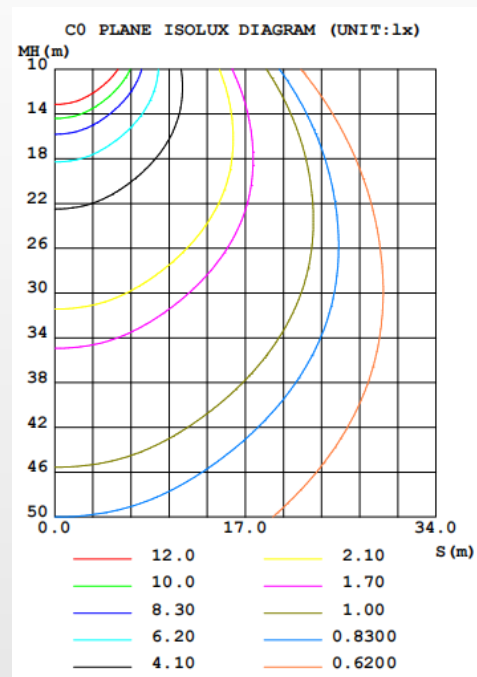
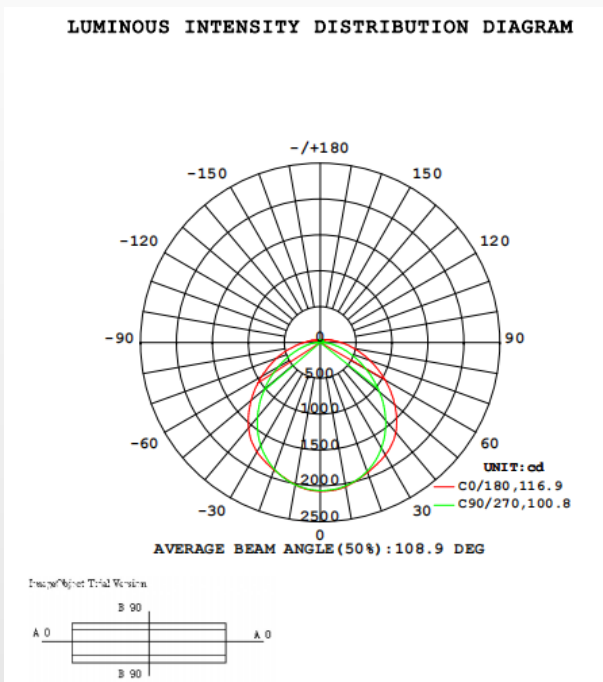
Warning ! The following situation will lead to misoperation

- 1 . Being installed in the rocking object will lead to misoperation
- 2 . The shaking curtain which is blown by wind will lead to misoperation , please select the suitable installed
- 3 . Being installed in the place where the traffic is busy will lead to misoperation
- 4 . It will lead to misoperation when there are sparks produced by some equipment nearby

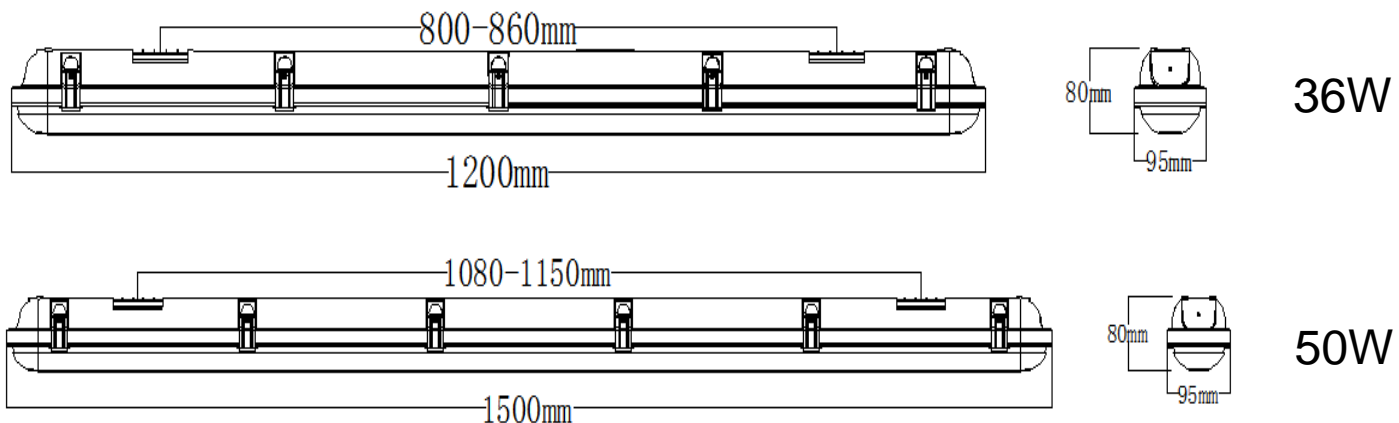
Structure Performance

Housing:	Plastic
IP degree	IP 65
IK degree	IK 08

Optical imagery



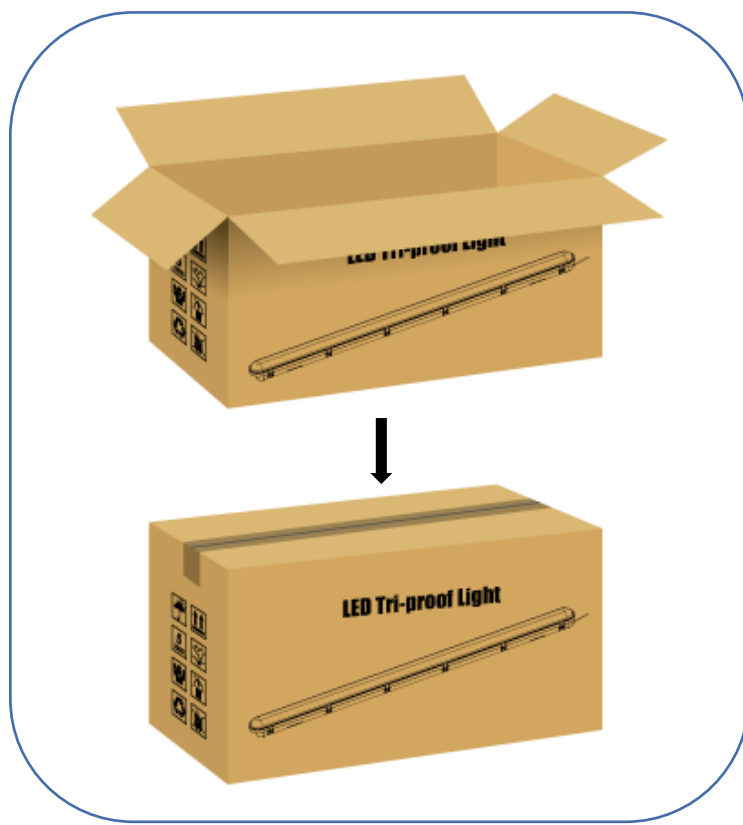
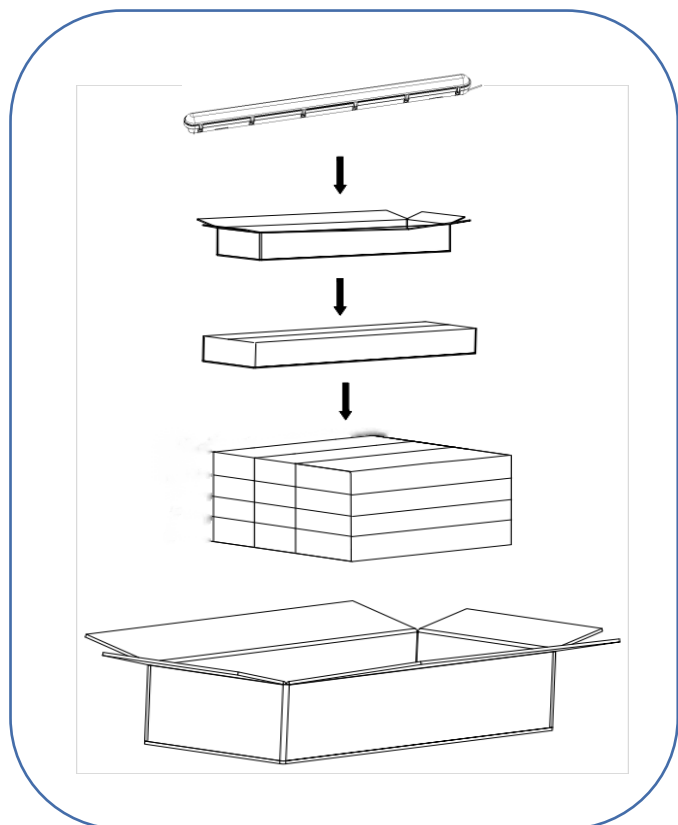
Product Dimensions



Packaging Dimension

Model	Power (W)	Carton Size		Net weight(KG)/PCS	G.W / 1PCS±0.2KG	PCS/Carton
SL-TB120036-X-T-H	36W	Outer Cartons	L128*W32*H29cm	1.72	18.96	9
SL-TB150050-X-T-H	50W	Outer Cartons	L158*W32*H29cm	2.14	22.77	9

Packaging diagram



Regular Safety Test

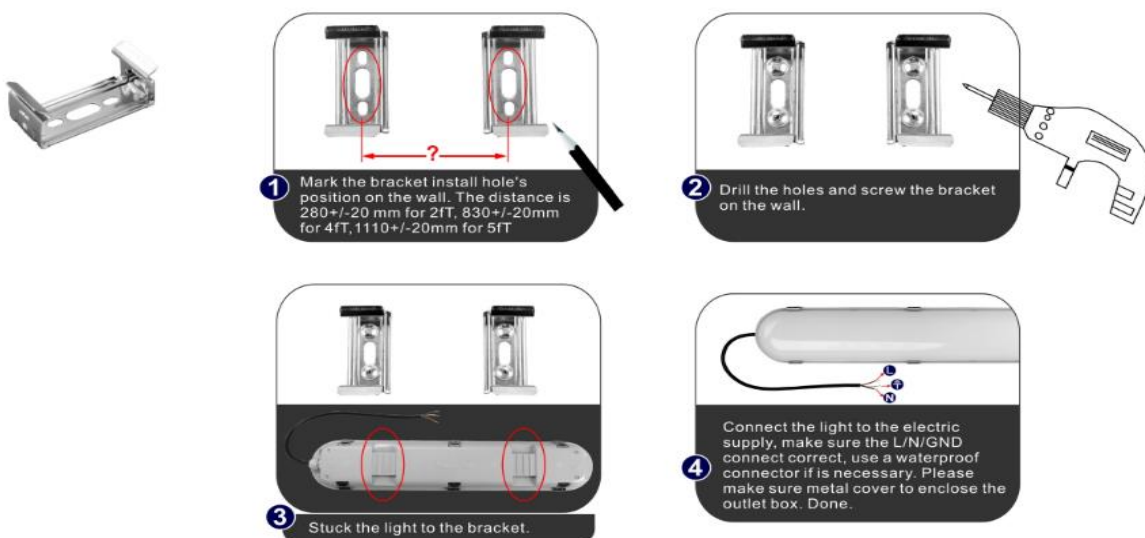
Test Item	Structure Classification	Testing Conditions	Testing parameters	Testing Time	Limiting Value
Hipot test	▪ Class I	input-shell	1000+2U (AC)	1min	10mA Max.
	▫ Class II	input-shell	2000+4U (AC)	1min	10mA Max.
	▫ Class III	input-shell	500Vac	1min	10mA Max.
Insulation Resistance	▪ Class I	input-shell	500Vdc	1min	2MΩ Min.
	▫ Class II	input-shell	500Vdc	1min	4MΩ Min.
	▫ Class III	input-shell	100Vdc	1min	1MΩ Min.
Leakage Current	▪ Class I	input-shell	220V/50Hz	10S	0.5mA Max.
	▫ Class II	input-shell	220V/50Hz	10S	1.0mA Max.
Ground Resistance	▪ Class I	Grounding wirmetal shell	10A	1min	500mΩ Max.

Product Certification

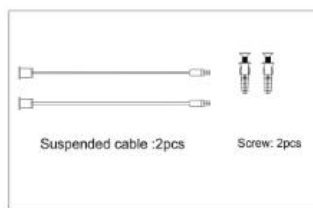
Certification Categories	Conform to the standard specification	Meet Certified	Certified
CE	EN60598-1; EN60598-2-1; EN62493; EN55015; EN61000-3-2; EN61000-3-3; EN61547; EN62471	√	√
SAA	IEC60598-2-1:1979(First Edition)+A1:1987 used in conjunction With IEC60598-1:2014(Eighth Edition)		
RoHS	2011/65/EU directive (RoHS 2.0)		
Energy Star	ENERGY STAR® Program Requirements Product Specification for Luminaires (Light Fixtures) Eligibility Criteria Version 2.0		

Installation method 1 Ceiling type Serial link

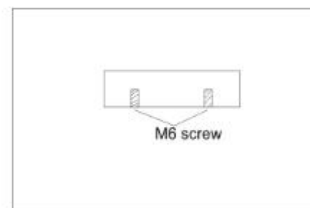
A.Surface mounting



B.Suspension



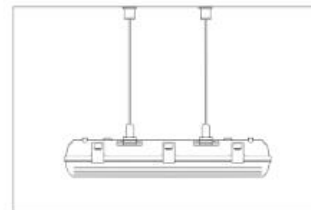
1 Check the suspension cable and screws.



2 Mark the bracket install hole's position on the wall. The distance is 280+/-20 mm for 2ft, 830+/-20mm for 4ft, 1110+/-20mm for 5ft

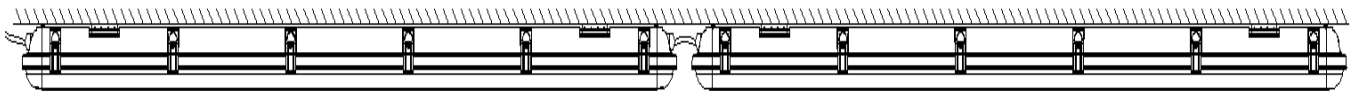


3



4

Installation method 2



Number of series:

1.2L ≤ 9 PCS

1.5L ≤ 6 PCS

Cautions:

Before installation, be sure to cut off electricity to avoid electric shock. This is one end wiring LED Tri-proof light with build-in driver. Powered by the voltage labeled on the LED Tri-proof light , no need to add other drivers.

Do not immerse the product in water and do not use it in water .

The number of series should not exceed the specified number of connections.